

SINEAX TV810

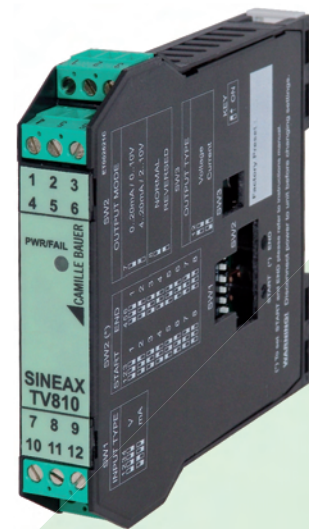
Isolating Amplifier

DC-signal converter (current/voltage)



Features / Benefits

- Input: Current bipolar selectable up to 20 mA or voltage
- Output: Current or voltage
- Response time: 35 ms
- Power for 2-wire transducers, 20 V DC
- 3-way galvanic isolation
- Power supply: 9 ... 40 V DC, 19 ... 28 V AC



General Data

Power supply	9 ... 40 V DC, 19 ... 28 V AC
Accuracy	0.1%
Response time	35 ms
Galvanic isolation	Power supply / input / output at 1500 V AC, digital
Resolution	11 bit
Power consumption	2.5 W
Protection for inputs	Except current: 60 V continuous, current 200 mA continuous
Humidity	Up to 90% at + 40 °C (not condensing)
Housing	Terminal housing for mounting on 35 mm DIN 46277. "V0" self-extinguishing glass filled nylon case
DIP-Switch	– Input signals setup – Output signal setup
Dimensions	17.5 x 100 x 112 mm (w x h x d)
Weight	140 g
Operating temperature	– 20 ... + 60 °C

Connections	Plug-in screw clamp terminal blocks, wires up to 2.5 mm ²
IP Protection	IP 20
Conformity	CE

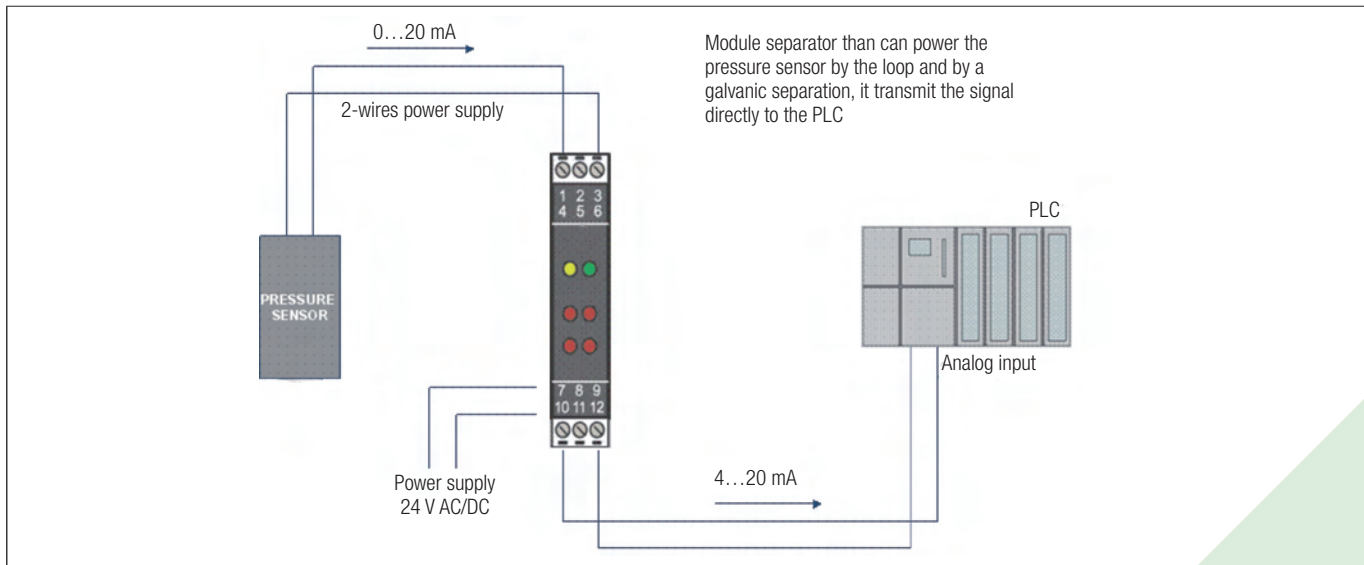
Order Code

Description	Code
DC-signal converter (current/voltage)	162 850

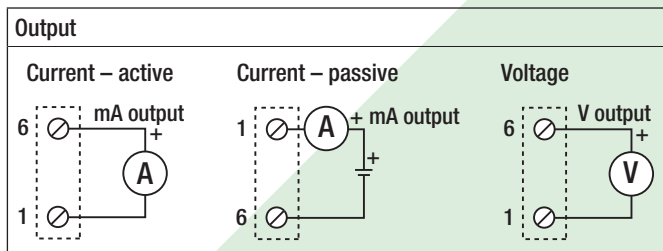
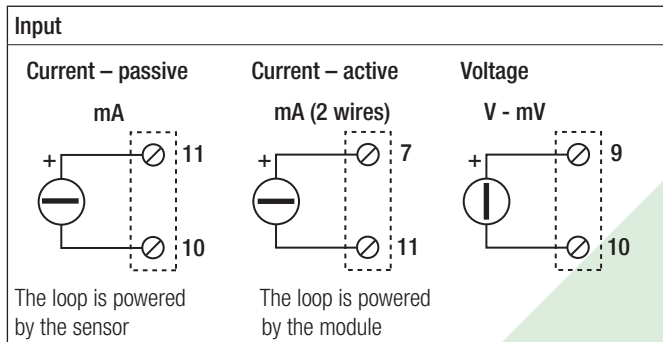
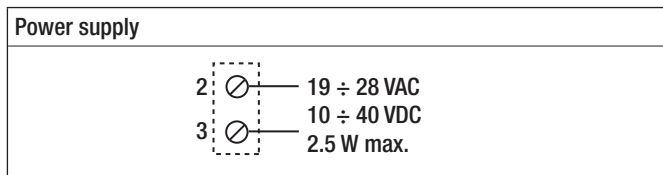
SINEAX TV810

Isolating Amplifier

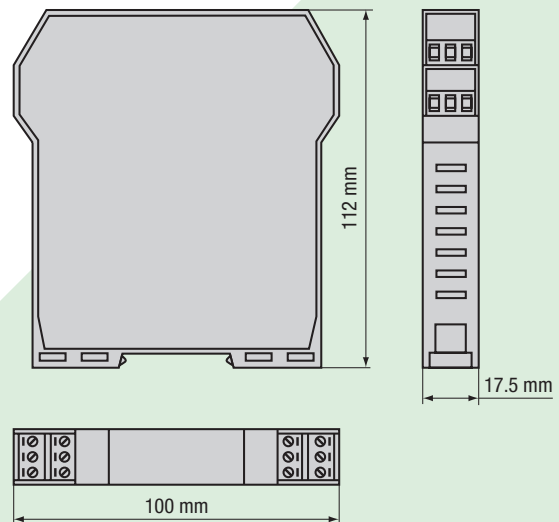
Application



Electrical connections



Dimensional drawing



CAMILLE BAUER

Rely on us.

Camille Bauer Ltd
 Aargauerstrasse 7
 CH-5610 Wohlen / Switzerland

Phone: +41 56 618 21 11

Fax: +41 56 618 35 35

e-mail: info@camillebauer.com

www.camillebauer.com